

T H O N E T<sup>®</sup>

New  
Upholstered Seating Collection

# Introducing R.A.C.E.

## Fully Upholstered Seating Collection



# What are the benefits of R.A.C.E. seating?

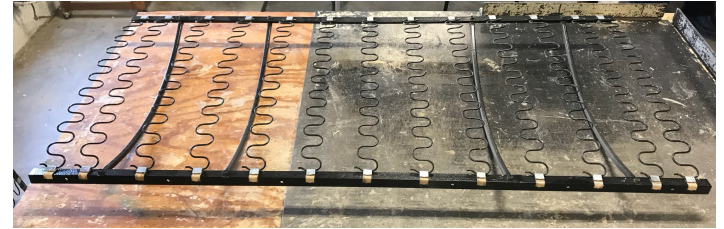
- What is R.A.C.E.?
  - Replace A Component Easily
- Made in the USA with USA components.
- Damaged components can be easily field replaced.
- All fabric is attached with Velcro closures, allowing stained or torn fabric to be replaced on site.
- Each item can be assembled and disassembled without any tools using a steel bracket system.

# What are the benefits of R.A.C.E. seating?

- Solid frame construction and precise CNC routed cuts with precise joints are glued and secured ensuring an exact fit should the need for replacement components arise.
- May be broken down into smaller parts allowing for a stress-free delivery through smaller doors, hallways, stairs and elevators.

# Features & Benefits

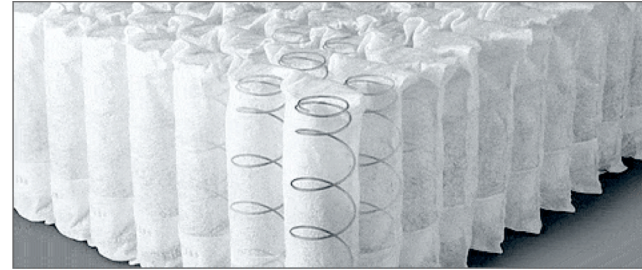
- Unitized steel seat suspension system provides **comfort** and **strength**.
- Engineered lumber frame is CNC cut to create precise joints, which are glued and secured.
- CNC parts create a skeleton for the sock on upholstery to fit the right way every time.



Unitized Steel  
Suspension System

# Features & Benefits

- Pocketed coil spring seat cores have 49 coil springs per seat area which are encapsulated in high-density foam and fiber wrapped.

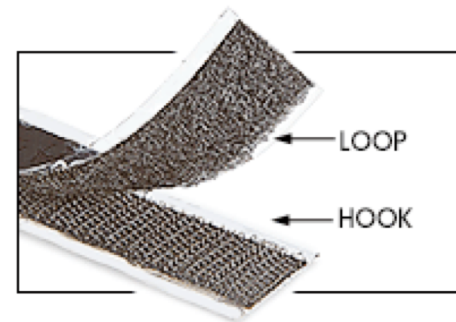


Pocketed Coil Springs



# Features & Benefits

- Seat cushions are reversible and held in place by non-slip decking.
- Back cushions are long staple, cut fiber filled to prevent settling.
- Cover attaches to frame with a Velcro hook and loop system allowing for easy replacements.



Seats have integrated spring system comprised of 49 sixteen-gauge coils. This method insures comfort and long term durability.

1.8 lbs density foam is among the highest quality in hospitality.

Engineered wood frame construction is lower cost than plywood.

Sits like a “vintage Mercedes Benz”

Unitized Steel Suspension System is made from 9-gauge springs





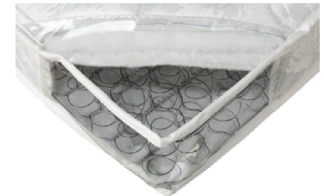
# Sleeper Specifications

## Sleeper Mechanism

- Leggett & Platt Classic Square 3500 Series frame

## Two mattress options, standard and deluxe

- Standard features include 294 innerspring coils, 5.25" thickness, double sided and Damask ticking




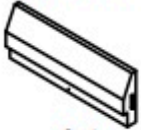







- Deluxe features include 312 innerspring coils, 6" thickness, double sided and Damask ticking



# Sleeper Sofa



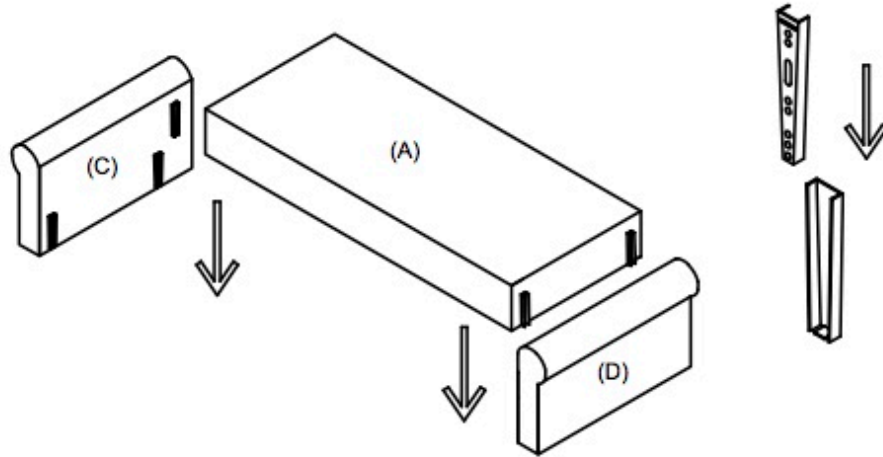
# Key Components and Hardware

<p>(A) Seat Frame</p>  <p>Qty 1</p>	<p>(B) Back Frame</p>  <p>Qty 1</p>	<p>(C) Left Arm</p>  <p>Qty 1</p>	<p>(D) Right Arm</p>  <p>Qty 1</p>	<p>(E) Locking Mechanism</p>  <p>Qty 1</p>
<p>(F) Metal Washer</p>  <p>Qty 1</p>	<p>(G) Rubber Leg Washer</p>  <p>Qty 4</p>	<p>(H) Leg</p>  <p>Qty 4</p>	<p>(I) Dust Cover</p>  <p>Qty 1</p>	

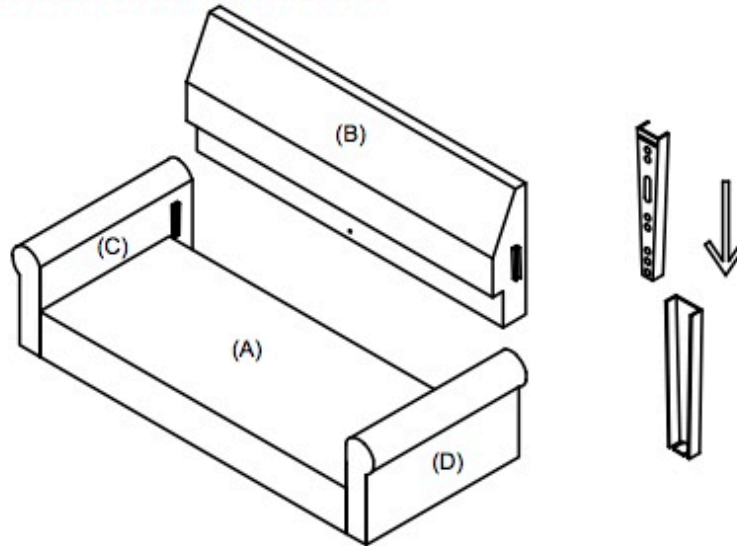
# Step By Step... Putting It Together

Step 1 Slide the seat front (A) onto the left arm (C) & right arm (D).

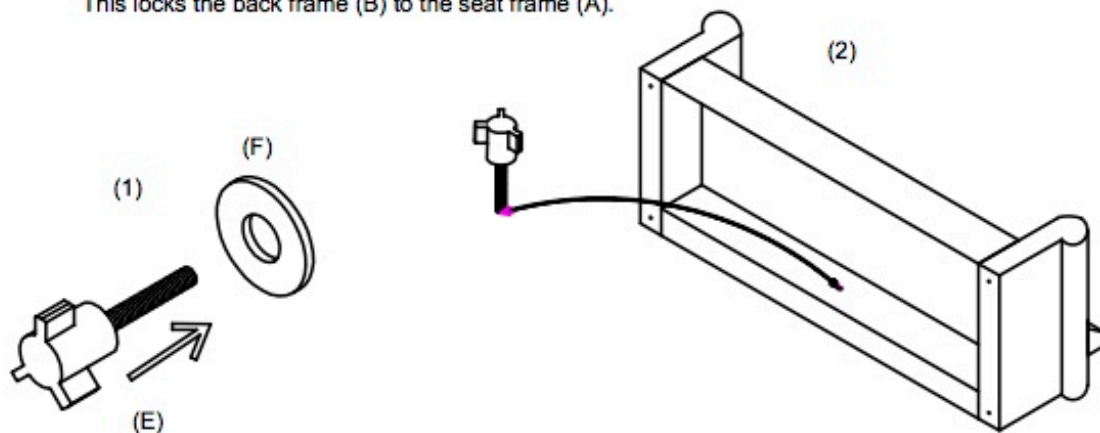
\*Note do one arm at a time



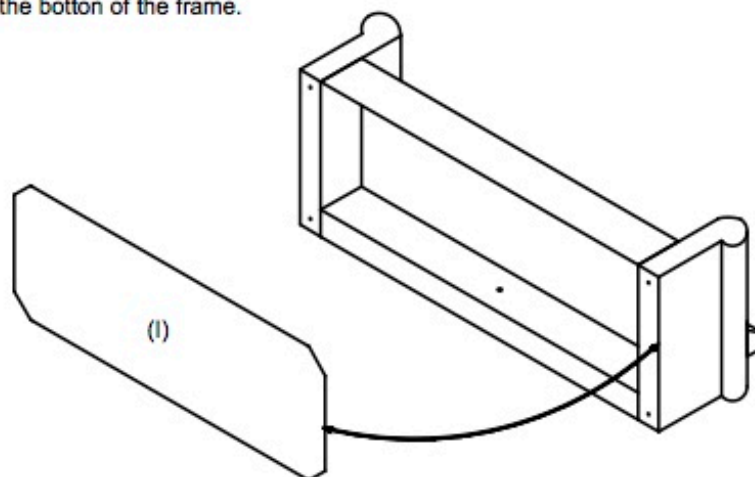
Step 2 Slide the back frame (B) onto the left arm (C) & the right arm (D).



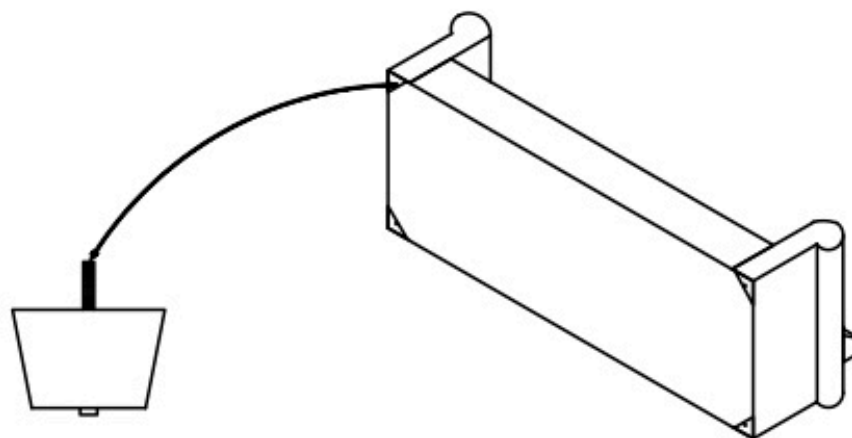
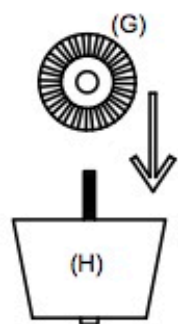
- Step 3
1. Put the locking mechanism (E) through the metal washer (F).
  2. Hand tightening the locking mechanism (E) to the inside through the bottom of the seat front (A).  
This locks the back frame (B) to the seat frame (A).



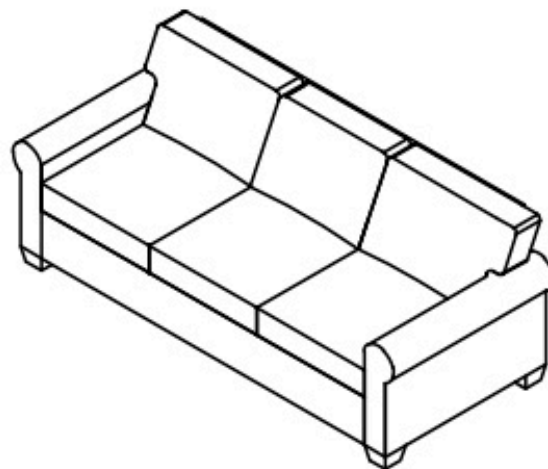
- Step 4 Hook and loop the dust cover (I) to the bottom of the frame.



- Step 5
1. Put the rubber leg washer (G) through the Bolt of the leg (H).
  2. Hand tightening the leg (H) to the per drill holes of the bottom of the arm (C & D)



- Step 6 Place the seat and the back cushions on the sofa and the assembly is complete.





**Model# D-9000-S**

Sofa Dimensions:

80" L x 34" D x 35.5" H

21" Seat Depth, 25" Arm Ht

160 lbs

*COM List Price: \$2479*

*12 yards*

T H O N E T<sup>®</sup>



**Model# D-9000-L**

Lounge Chair Dimensions:

34" L x 34" D x 35.5" H

21" Seat Depth, 25" Arm Ht

90 lbs

*COM List Price: \$1462*

*6 yards*





**Model# C-9100-S**

Sofa Dimensions:

83"W x 34.5"D x 34.5"H

21.25" Seat Ht

180 lbs

*COM List Price: \$2513*

*12 yards*

T H O N E T<sup>®</sup>

T H O N E T<sup>®</sup>



**Model# C-9100-L**

Lounge Chair Dimensions:

38"W x 34.5"D x 34.5"H

21.25" Seat Ht

108 lbs

*COM List Price: \$1511*

*6 yards*



**Model# B-9200-S**

Sofa Dimensions:

86"W x 35.5"D x 37.25"H

21.25" Seat Ht, 25" Arm Ht

180 lbs

*COM List Price: \$2872*

*12 yards*

T H O N E T<sup>®</sup>

T H O N E T<sup>®</sup>



**Model# B-9200-L**

Lounge Chair Dimension:

40"W x 35.5"D x 37.25"H

21.25" Seat Ht, 25" Arm Ht

108 lbs

*COM List Price: \$1646*

*6 yards*



**Model# S-9300-S**

Sofa Dimensions:

85"W x 35.5"D x 37.5"H

19.75" Seat Ht, 25.5" Arm Ht

182 lbs

*COM List Price: \$2594*

*12 yards*

T H O N E T<sup>®</sup>

T H O N E T<sup>®</sup>



**Model# S-9300-L**

Lounge Chair Dimensions:

39"W x 35.5"D x 37.5"H

19.75" Seat Ht, 25.5" Arm Ht

109 lbs

*COM List Price: \$1537*

*6 yards*



**Model# M-9400-S**

Sofa Dimensions:

82"W x 37.5"D x 34.5"H

19" Seat Ht, 24" Arm Ht

160 lbs

*COM List Price: \$2692*

*12 yards*

T H O N E T<sup>®</sup>

T H O N E T<sup>®</sup>



**Model# M-9400-L**

Lounge Chair Dimensions:

36"W x 37.5"D x 34.5"H

19" Seat Ht, 24" Arm Ht

90 lbs

*COM List Price: \$1486*

*6 yards*





**Model# Z-9500-S**

Sofa Dimensions:

81-1/4"W x 33"D x 31-5/8"H

23" Seat Depth, 23-7/8" Arm Ht

122 lbs

*COM List Price: \$1760*

*6-1/4 yards*

T H O N E T<sup>®</sup>

T H O N E T<sup>®</sup>



**Model# Z-9500-L**

Lounge Chair Dimensions:

35-1/4"W x 33"D x 31-5/8"H

23" Seat Depth, 23-7/8" Arm Ht

68 lbs

*COM List Price: \$1138*

*3-1/2 yards*

# Lead Time

- 8 weeks from receipt of COM
- COM should mail to Newport factory

